

INSTRUMENT/ACCESSORY KEY

SYMBOL	INSTR./ACCESS.	QTY.	LOAD
	ETC Source Four 26"	8	575W
	ETC Source Four 36"	8	575W
	ETC Source Four 50"	8	575W
	ETC Source Four PAR WFL	12	575W
	Practical	1	25W
	Template	3	
	Drop-Down Iris	1	

COLOR & GOBO SUMMARY

Color	Size	Count
L134 & R119	6.25"	2
L200 & R112	7.5"	1
L200 & R119	6.25"	2
L201	6.25"	2
L716	6.25"	1
R16 & R118	7.5"	6
R27	6.25"	1
R99	6.25"	1
R99 & R119	6.25"	8

Temp	Size	Count
R77703	B	2
R78240	A	1

LIGHTING DESIGN BY **ALEX J. ALEGRIA**
 LTPAlegri@gmail.com
 (520) 730-4635
 Itpaalex.weebly.com

This drawing represents visual concepts and construction suggestions only. The DESIGNER is not responsible for determining the structural or electrical appropriateness of the design and will not assume responsibility for managing engineering, construction, handling, or use. Distribute and use this drawing only as approved by the DESIGNER.

The Cabaret Theatre
 Hand to God
 Arizona Onstage Productions
 PNSTAGE

PRODUCTION TEAM
 Production Electrician..... Alex J. Alegria
 Director..... Kevin Johnson

REVISION HISTORY

#	DESCRIPTION	DATE
1	Final	08 Sept 2022
2		
3		
4		
5		

LIGHTING NOTES

- Please direct all questions to the LIGHTING DESIGNER.
- Circuits are written as: Circuit Box Let. | Dimmer No.
- Exact placement of Practical unit TBD at Load-In.

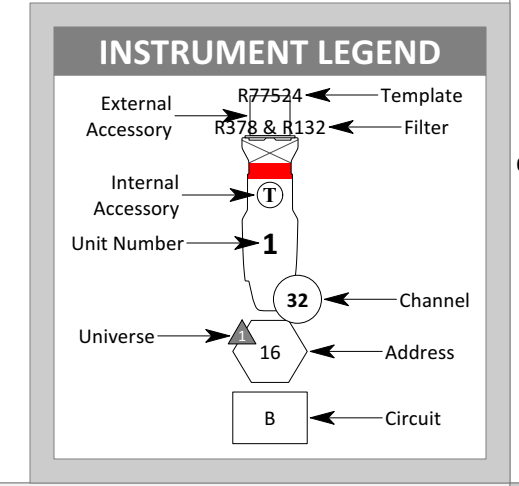
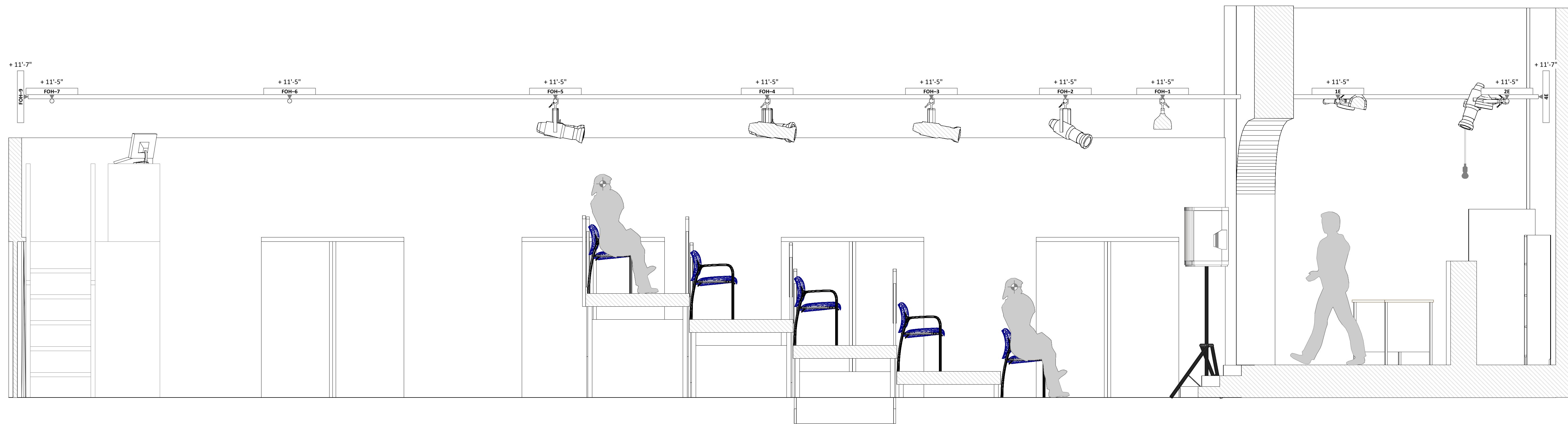


PLATE **1** OF 3

Lighting: Main

SCALE: 1/2" = 1'-0"
 PLOT DRAFTED BY: Alex J. Alegria
 PAPER TYPE: ARCH D (24" x 36")



INSTRUMENT/ACCESSORY KEY			
SYMBOL	INSTR./ACCESS.	QTY.	LOAD
	ETC Source Four 26°	8	575W
	ETC Source Four 36°	8	575W
	ETC Source Four 50°	8	575W
	ETC Source Four PAR WFL	12	575W
	Practical	1	25W
	Template	3	
	Drop-Down Iris	1	

COLOR & GOBO SUMMARY		
Color	Size	Count
L134 & R119	6.25"	2
L200 & R112	7.5"	1
L200 & R119	6.25"	2
L201	6.25"	2
L716	6.25"	1
R16 & R118	7.5"	6
R27	6.25"	1
R99	6.25"	1
R99 & R119	6.25"	8

Temp	Size	Count
R77703	B	2
R78240	A	1

LIGHTING DESIGN BY **ALEX J. ALEGRIA**
 LTPAlexJ@gmail.com
 (520) 730-4635
 Itpalexj.weebly.com

This drawing represents visual concepts and construction suggestions only. The DESIGNER is not responsible for determining the structural or electrical appropriateness of the design and will not assume responsibility for managing engineering, construction, handling, or use. Distribute and use this drawing only as approved by the DESIGNER.

The Cabaret Theatre

Hand to God Arizona Onstage Productions

PRODUCTION TEAM

Production Electrician.....Alex J. Alegria
 Director.....Kevin Johnson

REVISION HISTORY		
#	DESCRIPTION	DATE
1	Final	08 Sept 2022
2		
3		
4		
5		

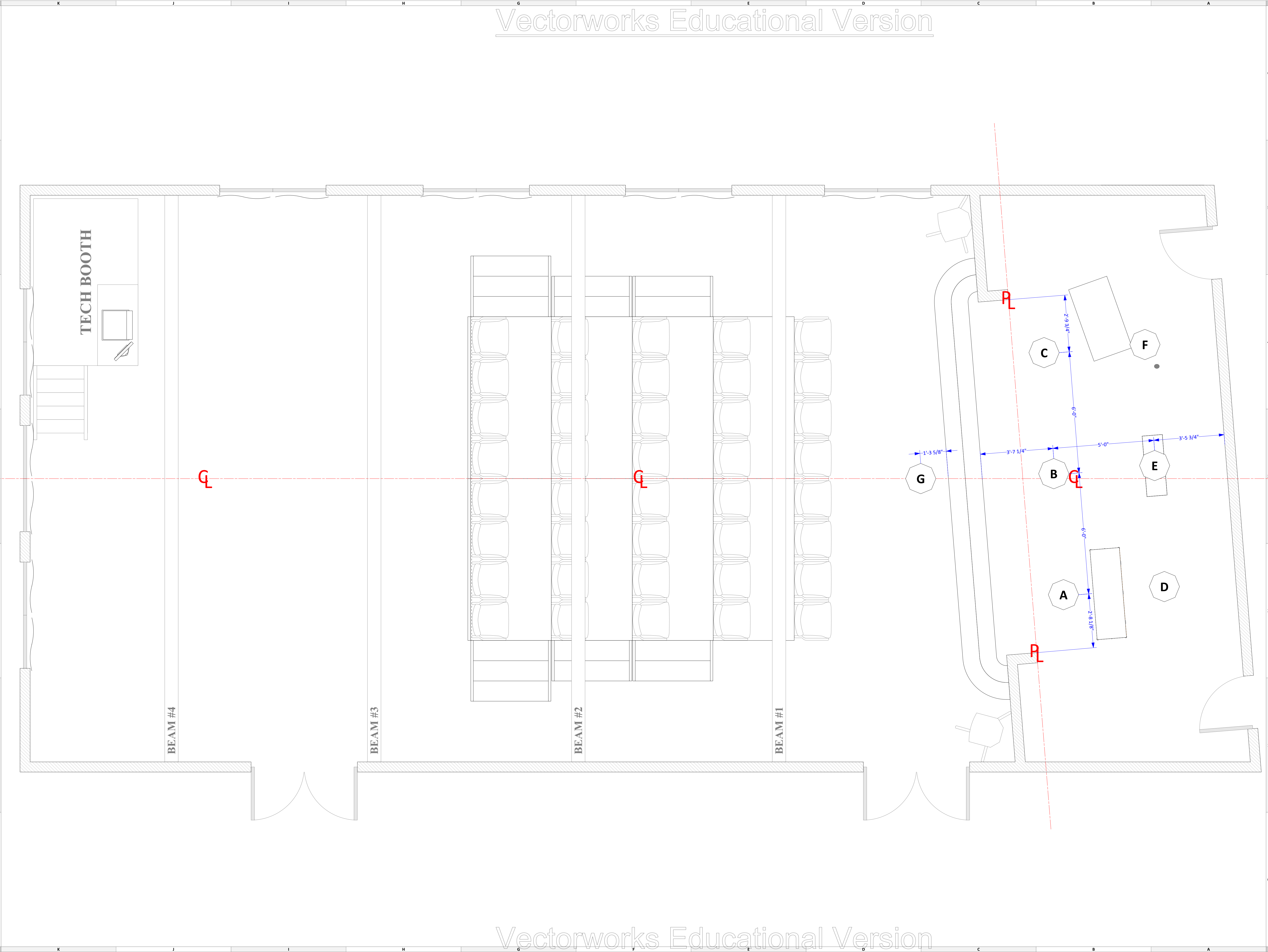
LIGHTING NOTES

- Please direct all questions to the LIGHTING DESIGNER.
- Circuits are written as: Circuit Box Let. | Dimmer No.
- Exact placement of Practical unit TBD at Load-In.

PLATE **2** OF 3

Lighting: Section View

SCALE 1/2" = 1'-0" <small>Unless otherwise noted</small>	PLOT DRAFTED BY Alex J. Alegria	PAPER TYPE ARCH D (24" x 36")
--	---------------------------------------	-------------------------------------



INSTRUMENT/ACCESSORY KEY			
SYMBOL	INSTR./ACCESS.	QTY.	LOAD
	ETC Source Four 26°	8	575W
	ETC Source Four 36°	8	575W
	ETC Source Four 50°	8	575W
	ETC Source Four PAR WFL	12	575W
	Practical	1	25W
	Template	3	
	Drop-Down Iris	1	

COLOR & GOBO SUMMARY		
Color	Size	Count
L134 & R119	6.25"	2
L200 & R112	7.5"	1
L200 & R119	6.25"	2
L201	6.25"	2
L716	6.25"	1
R16 & R118	7.5"	6
R27	6.25"	1
R99	6.25"	1
R99 & R119	6.25"	8

Temp	Size	Count
R77703	B	2
R78240	A	1

LIGHTING DESIGN BY ALEX J. ALEGRIA
 LTPAlegri@gmail.com
 (520) 730-4635
 Itpalex.weebly.com

The Cabaret Theatre
 Hand to God
 Arizona Onstage Productions
 ONSTAGE PRODUCTIONS

PRODUCTION TEAM
 Production Electrician.....Alex J. Alegria
 Director.....Kevin Johnson

REVISION HISTORY		
#	DESCRIPTION	DATE
1	Final	08 Sept 2022
2		
3		
4		
5		

LIGHTING NOTES
 1. Please direct all questions to the LIGHTING DESIGNER.
 2. Circuits are written as: Circuit Box Let. | Dimmer No.
 3. Exact placement of Practical unit TBD at Load-In.

PLATE
3
 OF 3

Lighting: Focus Points

SCALE 1/2" = 1'-0" Unless otherwise noted	PLOT DRAFTED BY Alex J. Alegria	PAPER TYPE ARCH D (24" x 36")
---	---------------------------------------	-------------------------------------